
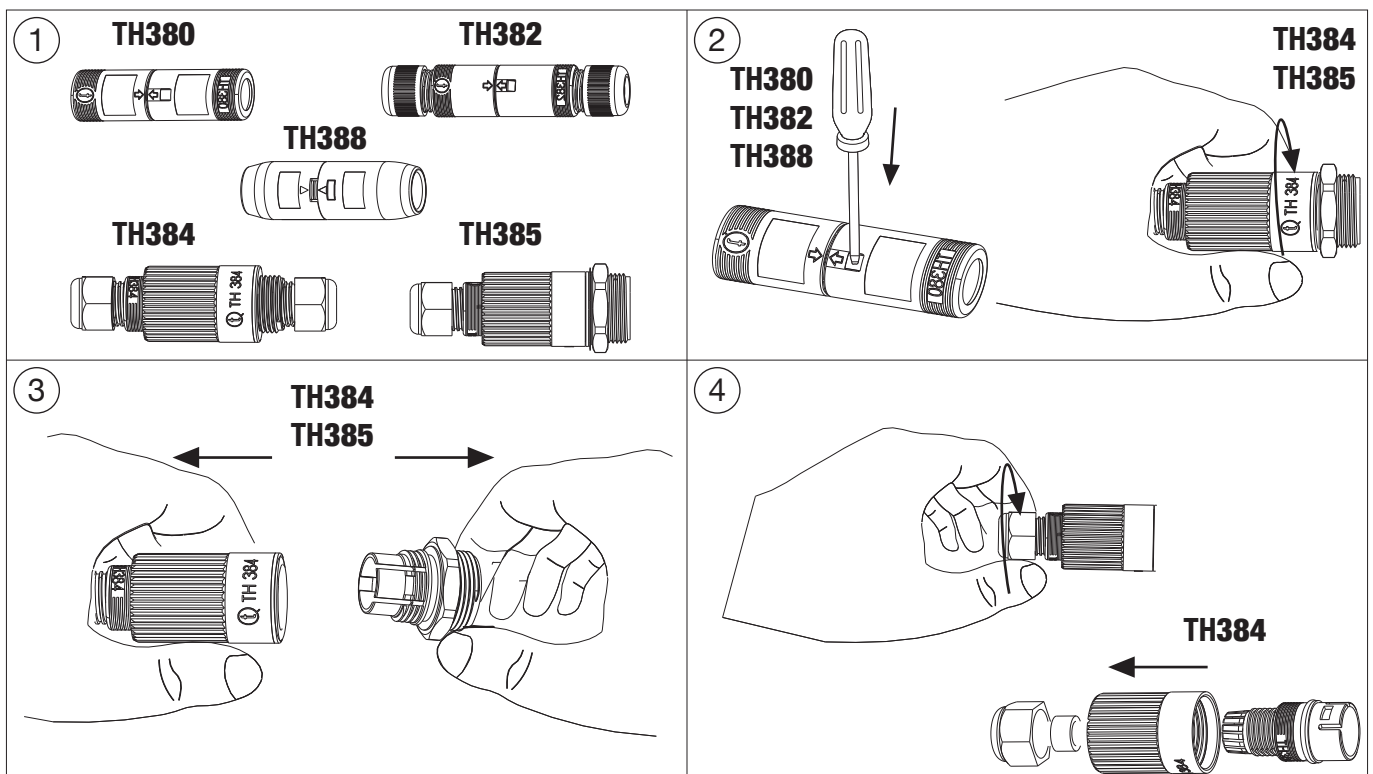
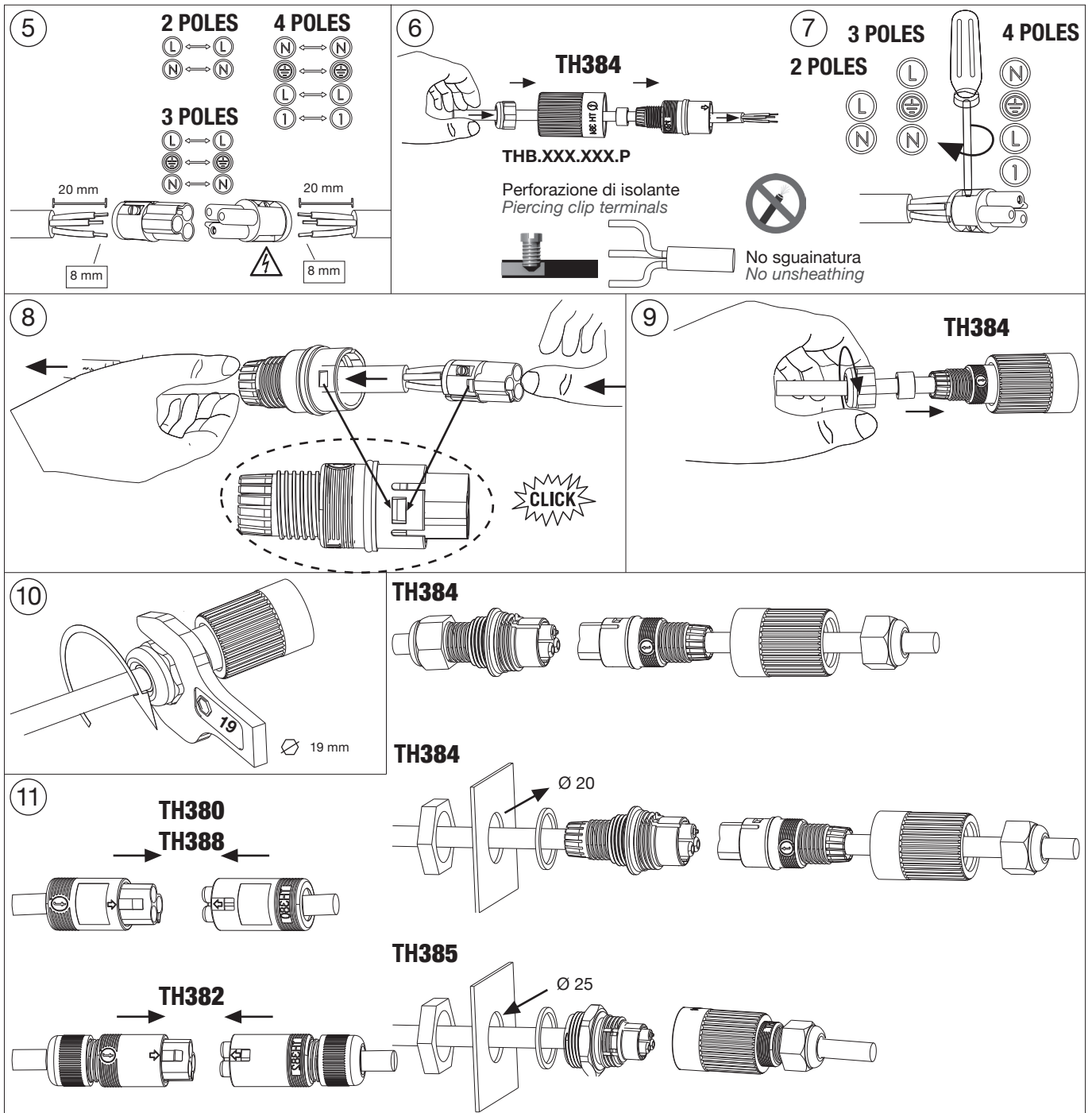

TH380 IP20
TH382 IP40
TH384 IP54-68
TH385 IP54-68
TH388 IP20

MADE IN ITALY



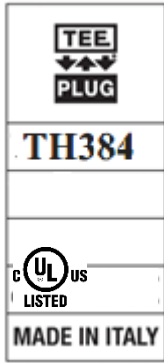
- IT Togliere corrente prima di iniziare. Se in dubbio consultare un elettricista qualificato.
- GB Isolate Mains Power supply before commencing. If in doubt, consult qualified electrician
- FR Couper l'alimentation principale avant de commencer. En cas de doute, consulter un electricien qualifié
- DE Vor Inbetriebnahme vom Stromnetz trennen. Wenn im Zweifel, Beratung durch einen qualifizierten Elektriker.
- ES Aislar fuente de alimentación principal antes de comenzar. En caso de duda, consultar electricista cualificado
- PT Cortar a alimentação de corrente antes de proceder à ligação. Em caso de dúvida consultar um técnico especializado.
- NL Zet de hoofdschakelaar van de energievoorziening uit voordat u begint. Als u hierover twijfels heeft, vraag dan hulp aan een gediplomeerde electriciën.
- PL Odłączyć zasilanie przed rozpoczęciem instalacji. W przypadku wątpliwości proszę skonsultować się z wykwalifikowanym elektrykiem.
- CZ Před zahájením instalace odpojte hlavní přívod elektrické energie. V případě pochybností to konzultujte s kvalifikovanou osobou (elektrikářem).
- SL Pred začetkom inštalacije odpojte glavni privod električne energije. V pripade pochybnosti to konzultujte s kvalifikovanou osebo (elektrikarom).
- SI Pred začetkom del izklopite glavni vir napajanja. V kolikor ste v dvomih, se posvetujte s kvalificiranim električarjem.
- SE Koppla bort nätspänningen innan inkoppling. Vid tveksamhet, anlita kvalificerad elektriker.
- DK Afbryd strømmen før installationen påbegyndes. I tvivlstilfælde kontakt autoriseret elektriker
- NO Koble fra Hovedstrømkilden før monteringen. Er en i tvil, kontakt kvalifisert elektriker
- FI Eristä päävirtalähde ennen yhdistämistä. Jos epäilet, kysy ammattisähkömieheltä
- GR ΚΛΕΙΣΤΕ ΤΗΝ ΠΑΡΟΧΗ ΤΟΥ ΡΕΥΜΑΤΟΣ ΠΡΙΝ ΞΕΚΙΝΗΣΕΤΕ ΑΝ ΕΧΕΤΕ ΑΜΦΙΒΟΛΙΕΣ ΣΥΜΒΟΥΛΕΥΤΕΙΤΕ ΗΛΕΚΤΡΟΛΟΓΟ
- BG Прекъснете захранващото напрежение преди започване. Ако не сте сигурни, консултирайте се с квалифициран електротехник
- EE Lülitage vooluallikas enne alustamist välja. Kahtluse puhul konsulteerige kvalifitseeritud elektrikuga
- LV Noizolēt GALveno Spēka pievadu pirms darbu uzsākšanas. Ja neesat pārliecināti, par veicamā pareizību, konsultējaties ar profesionālu elektriķi!
- LT Prieš pradėdami atjunkite maitinimo šaltinį. Jei abejojate-pasitarkite su kvalifikuotu elektriку
- RO Înainte de conectarea la rețea opriți curentul, dacă aveți dificultăți cu instalarea apelați un electrician autorizat
- HU Áramtalanítsa a készüléket mielőtt hozzákészíti. Ha kérdése van forduljon képzett szakemberhez
- RU Перед началом монтажа отключите токоподачу. В случае сомнений проконсультируйтесь с квалифицированным электриком.
- CN 安裝及測試前先關掉電源。如有疑問，請查詢合資格電器工程師。
- AE تأكد من فصل مزود الطاقة الرئيسي قبل تركيبه. وإن كانت لديك أية مشكلات، يرجى الاستعانة بمهندس كهرباء إسرائيلي.
- IS EINANGRÍÐ - VEIT ER EKKI HVAÐ HANN ER AÐ REYNA AÐ SEGJA HÉRNA EF EITTHVAÐ ER ÓLJÓST, HAFIÐ ÞÁ SAMBAND VIÐ RAFVIRKJA ANANDA LUTFEN KALIFIYI BIR ELEKTIRKCIYE DANISIN

- IT Istruzioni per l'installazione
- GB Installation Instructions
- FR Instructions d'installation
- DE Montage-Anweisungen
- ES Instrucciones de instalación
- PT Instruções de instalação
- NL Instructies voor het installeren.
- PL Instrukcja instalacji
- CZ Montážní návod
- SK Montážny návod
- SI Navodila za montažo
- SE Instruktioner för installationen
- DK Installationsvejledning
- NO Instruks for installasjon
- FI Asennus ohjeet
- GR ΟΔΗΓΙΕΣ ΕΓΚΑΤΑΣΤΑΣΗΣ
- BG Инструкции за експлоатация
- EE Paigaldusjuhend
- LV Ierīkošanas instrukcija
- LT Montavimo instrukcija
- RO Instrucțiuni de instalare
- HU Összeszerelési útmutató
- RU Инструкция по монтажу
- CN 安裝指引
- AE التركيبات وتعليمات:
- IS Leiðbeiningar v/uppsetningu
- TR Montaj bilgisidir





Accessori su richiesta. Visita il sito www.techno.it
Accessories on request. Visit www.techno.it



ASSEMBLY INSTRUCTIONS

Assembly instructions for connector series TH384



Safety Note

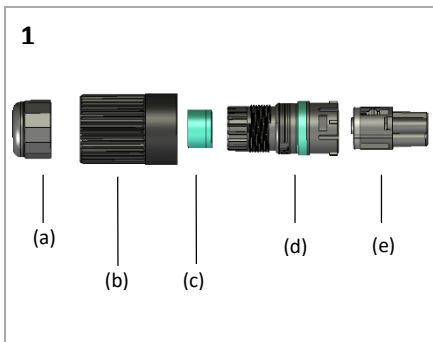
- Disconnect power supply before commencing.
- If the preparation and assembly instructions described here are disregarded then neither safety nor compliance with the technical data can be guaranteed.
- Unconnected connectors must always be protected from pollution (e.g. dust, humidity, foreign particles, etc.) prior to installation. Do not leave unconnected (unprotected) connectors exposed to the environment. The usage of Techno connector sealing caps is strongly recommended.

Technical data

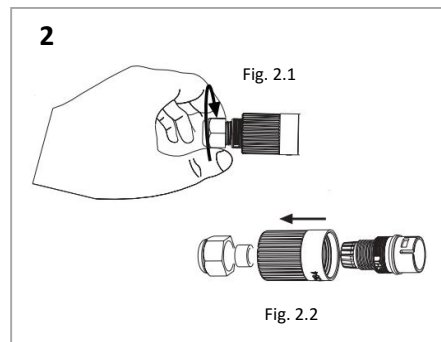
Part Numbers	THB.384.A1A THB.384.B1A
Number of poles	3 poles
Type of connection	Screw connection
Rated Voltage	20 A
Rated current	400 V
Cable type	UL Listed Type TC or TC-ER
Cable size	12 AWG Stranded and solid
Cord diameter min – max	8.5 mm – 10.2 mm
Conductor cross section min - max	1.5 sqmm – 4 sqmm
Dismantling length	20 mm
Insulation strip length	8 mm
Housing color	Black
Insert color	Natural (THB.384.A1A) Natural (THB.384.B1A)

Products are a Type 6/6P enclosure ONLY when assembled with a Combined TC and Outdoor are rated cable type (such as Listed TC/STOOW)

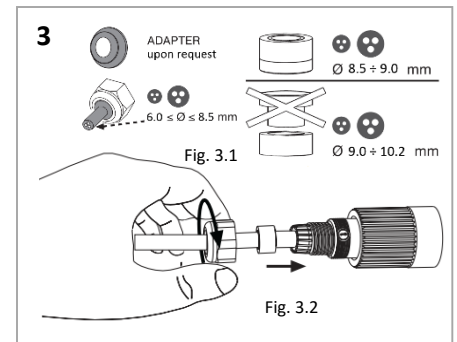
Assembly steps



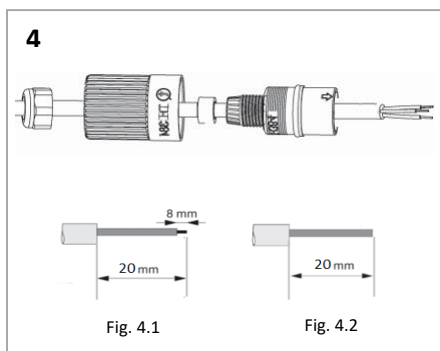
- Set-up of the female connector: (a) Pressure nut, (b) locking nut, (c) cable seal, (d) connector housing, (e) connector insert (male or female)



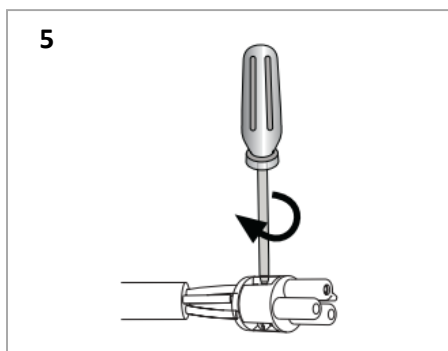
- Unscrew the pressure nut till it comes out from the connector housing (Fig. 2.1).
- Pull out the locking nut from the connector housing (Fig. 2.2).



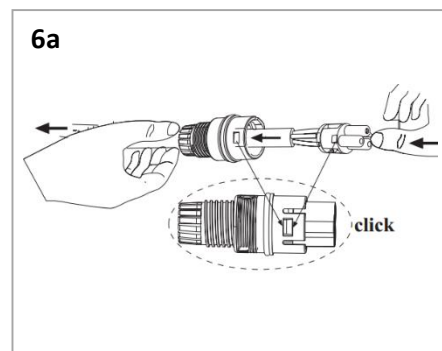
- Choose the cable seal and the cable adapter according to the cable diameter (Fig. 3.1).
- Push the pressure nut and the cable seal over the cable (Fig. 3.2).
- Insert the cable in the female connector housing (Fig. 3.2). Do not insert the cable nut and seal in the connector housing.



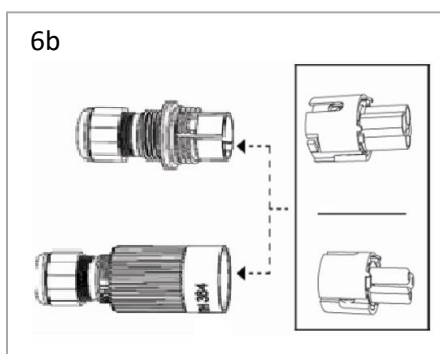
- Strip the cable a length of 0.788 inches (20 mm) (Fig. 4.1)
- In case of screw connection (PN: THB.384.xxx) strip the wires a length of 0.315 inches (8 mm) and twist them together (Fig. 4.1)



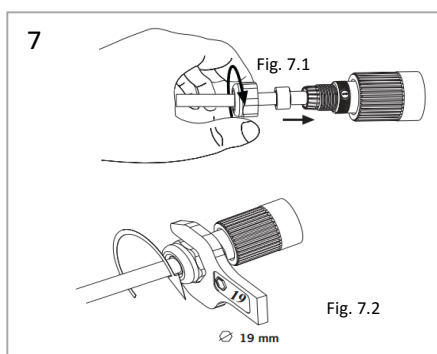
- Connect the wires to the female connector insert (or male connector insert) with a screw driver.
- Screws must be closed using a torque of 0.8 Nm for pressure wire



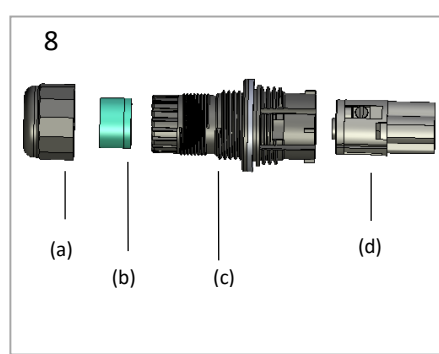
- Insert the female connector insert in the housing until it stop. Make sure the connector insert's protrusion match with the housing's cavity



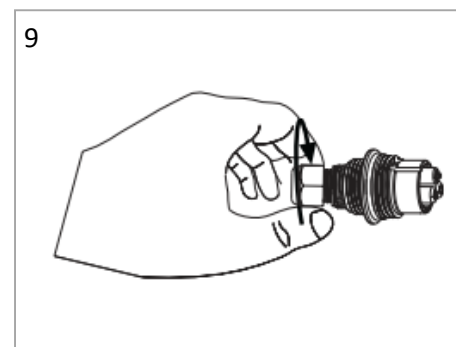
- The female connector insert and the male connector insert can be inserted in both connector housings (male or female) depending on the application needs.



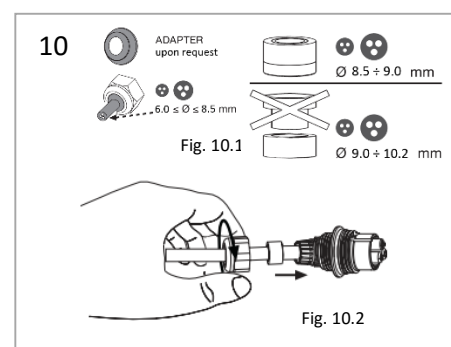
- Firstly, press the cable seal into the connector housing until it stop and screw the pressure nut on the connector housing (Fig. 7.1)
- Secondly (Fig. 7.2), tighten the pressure nut using the appropriate tool to a torque between 2.5 Nm and 4 Nm



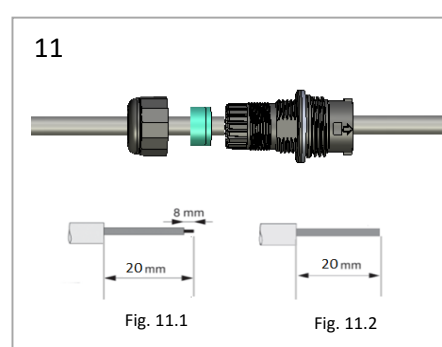
- Set-up of the male connector: (a) Pressure nut, (b) cable seal, (c) connector housing, (d) connector insert (male or female)



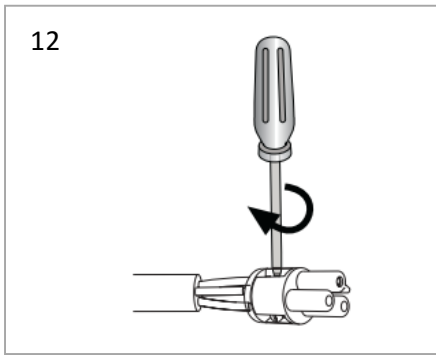
- Unscrew the pressure nut till it comes out from the connector housing (Fig. 9.1).



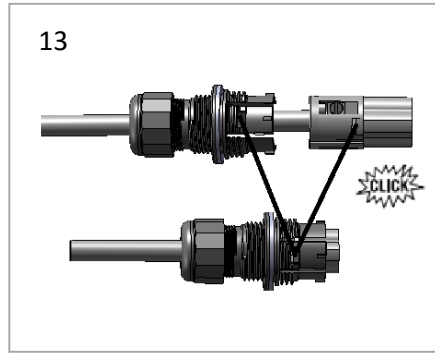
- Choose the cable seal and the cable adapter according to the cable diameter (Fig. 10.1).
- Push the pressure nut and the cable seal over the cable (Fig. 10.2).
- Insert the cable in the male connector housing (Fig. 10.2). Do not insert the cable nut and seal in the connector housing.



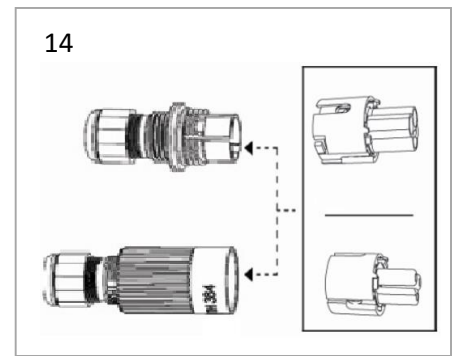
- Strip the cable a length of 0.788 inches (20 mm) (Fig. 11.1)
- In case of screw connection (PN: THB.384.xxx) strip the wires a length of 0.315 inches (8 mm) and twist them together (Fig. 11.1)
- In case of piercing screw connection (PN: THP.384.xxx) do not strip the wires (Fig. 11.2)



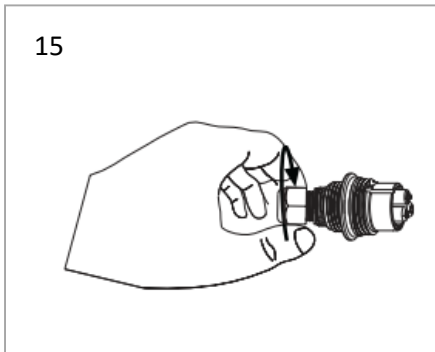
- Connect the wires to the male connector insert (or female connector insert) with a screw driver.
- Screws must be closed using a torque of 0.8 Nm for pressure wire



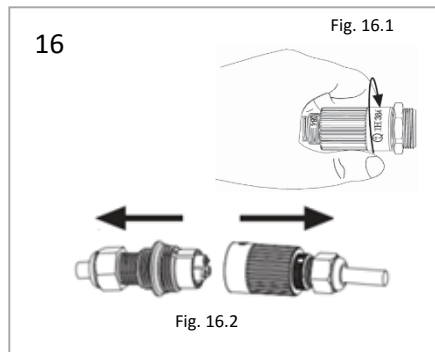
- Insert the male connector insert in the housing until it stop. Make sure the connector insert's protrusion match with the housing's cavity



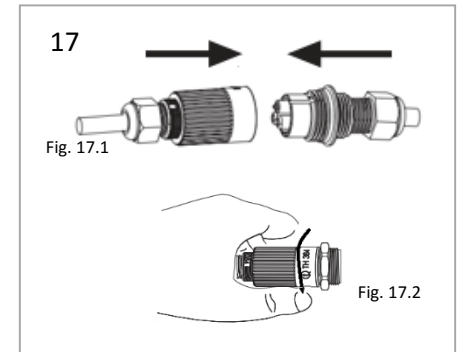
- The male connector insert and the female connector insert can be inserted in both connector housings (male or female) depending on the application needs



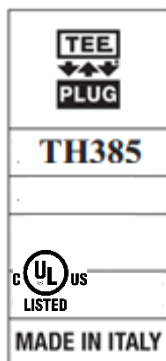
- Firstly, press the cable seal into the connector housing until it stop and screw the pressure nut on the connector housing
- Secondly, tighten the pressure nut using the appropriate tool (same tool showed in Figure 7) to a torque between 2.5 Nm and 4 Nm



- To un-mate connectors unscrew the locking nut until it stops (Fig. 16.1)
- Pull the connector housing apart (Fig. 16.2)



- For mating align the two half connectors and mate them together by hand until they stop (male and female connectors incorporate keying features) (Fig. 17.1)
- Screw the locking nut until it stop (Fig. 17.2)



ASSEMBLY INSTRUCTIONS

Assembly instructions for connector series TH385



Safety Note

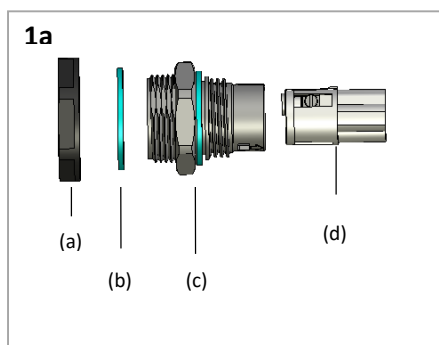
- Disconnect power supply before commencing.
- If the preparation and assembly instructions described here are disregarded then neither safety nor compliance with the technical data can be guaranteed.
- Unconnected connectors must always be protected from pollution (e.g. dust, humidity, foreign particles, etc.) prior to installation. Do not leave unconnected (unprotected) connectors exposed to the environment. The usage of Techno connector sealing caps is strongly recommended.

Technical data

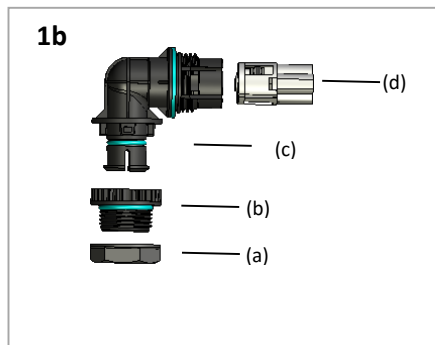
Part Numbers	THB.385.A1A THB.384.B1A THB.385.A3F
Number of poles	3 poles
Type of connection	Screw connection
Rated Voltage	20 A
Rated current	400 V
Cable type	UL Listed Type TC or TC-ER
Cable size	12 AWG Stranded and solid
Cord diameter min – max	8.5 mm – 10.2 mm
Conductor cross section min - max	1.5 sqmm – 4 sqmm
Dismantling length	20 mm
Insulation strip length	8 mm
Housing color	Black
Insert color	Natural (THB.385.A1A) Natural (THB.384.B1A) Natural (THB.385.A3F)

Products are a Type 6/6P enclosure ONLY when assembled with a Combined TC and Outdoor are rated cable type (such as Listed TC/STOOW)

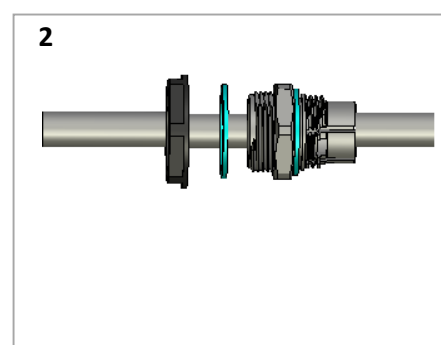
Assembly steps



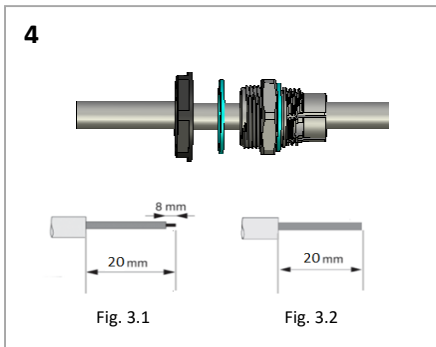
- Set-up of the male connector THB.385.xxx: (a) Lock nuts, (b) gasket, (c) connector housing, (d) connector insert (male or female)



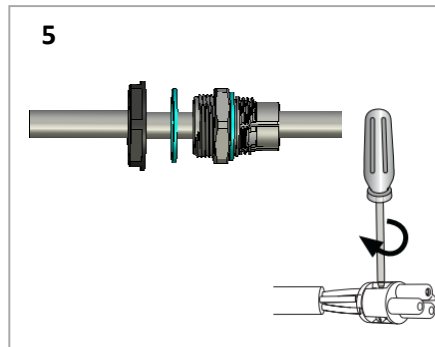
- Set-up of the plug THB.385.A3F: (a) Lock nuts, (b) gasket, (c) connector housing 90°, (d) connector insert (male or female)



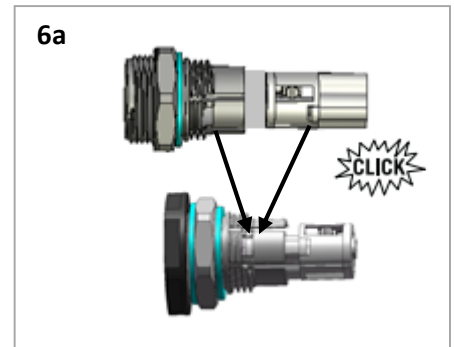
- Pass the cable through the lock nut and the gasket and insert it inside the housing connector. Do not insert the gasket and the lock nut in the connector housing



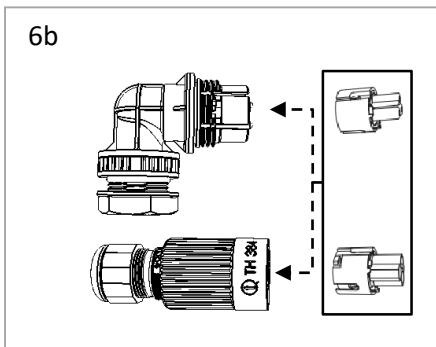
- Strip the cable a length of 0.788 inches (20 mm) (Fig. 2.1)
- In case of screw connection (PN: THB.385.xxx) strip the wires a length of 0.315 inches (8 mm) and twist them together (Fig. 2.1)
- In case of piercing screw connection (PN: THP.385.xxx) do not strip the wires (Fig. 2.2)



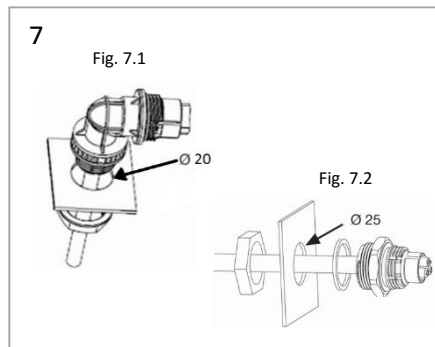
- Connect the wires to the male connector insert (or female connector insert) with a screw driver.
- Screws must be closed using a torque of 0.8 Nm for pressure wire



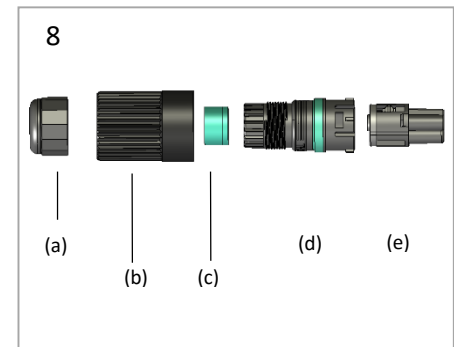
- Insert the male connector insert in the housing until it stop. Make sure the connector insert's protrusion match with the housing's cavity until you hear a "click"



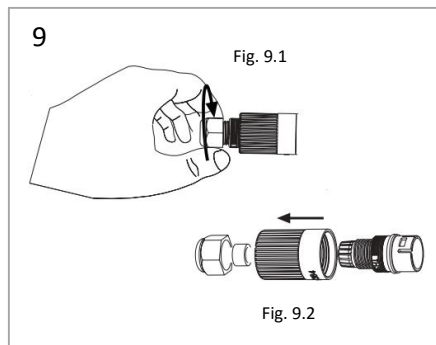
- The female connector insert and the male connector insert can be inserted in both connector housings (male or female) depending on the application needs.



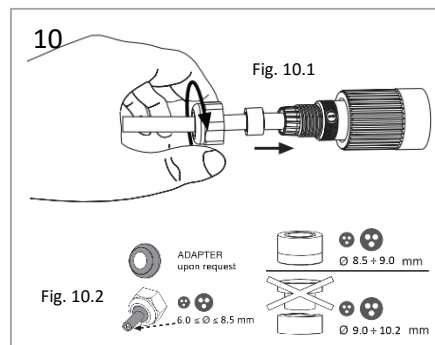
- Firstly create a hole in the mounting surface with Ø25 for the linear (Fig. 7.1) and Ø20 for 90° version (Fig. 7.2)
- Secondly, tighten the lock nut using the appropriate tool to a torque of 2.5 Nm and 4 Nm



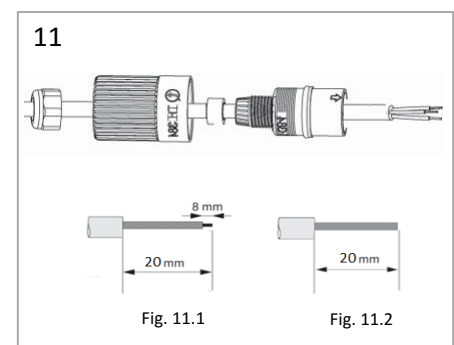
- Set-up of the female connector: (a) Pressure nut, (b) locking nut, (c) cable seal, (d) connector housing, (e) connector insert (male or female)



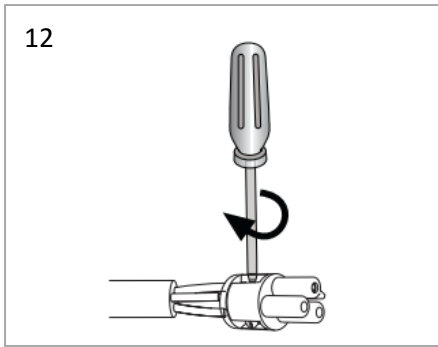
- Unscrew the pressure nut till it comes out from the connector housing (Fig. 9.1).
- Pull out the locking nut from the connector housing (Fig. 9.2).



- Choose the cable seal and the cable adapter according to the cable diameter (Fig. 10.1).
- Push the pressure nut and the cable seal over the cable (Fig. 10.2).
- Insert the cable in the female connector housing (Fig. 10.2). Do not insert the cable nut and seal in the connector housing.

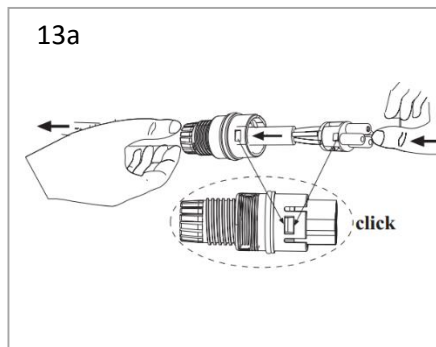


- Strip the cable a length of 0.788 inches (20 mm) (Fig. 11.1)
- In case of screw connection (PN: THB.384.xxx) strip the wires a length of 0.315 inches (8 mm) and twist them together (Fig. 11.1)
- In case of piercing screw connection (PN: THP.384.xxx) do not strip the wires (Fig. 11.2)



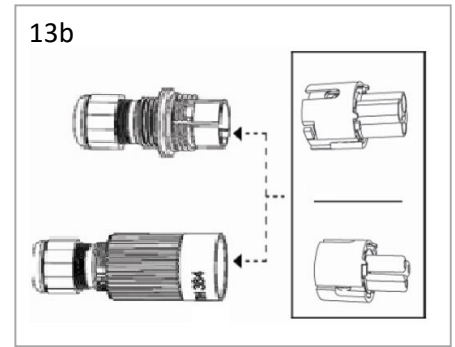
12

- Connect the wires to the female connector insert (or male connector insert) with a screw driver.
- Screws must be closed using a torque of 0.8 Nm for pressure wire



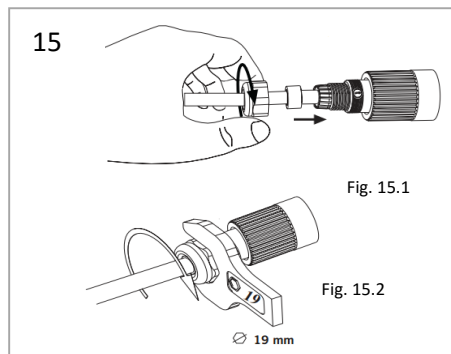
13a

- Insert the female connector insert in the housing until it stop. Make sure the housing's protrusion match with the connector insert's cavity



13b

- The female connector insert and the male connector insert can be inserted in both connector housings (male or female) depending on the application needs.



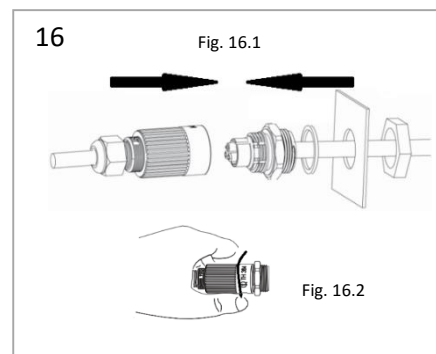
15

Fig. 15.1

Fig. 15.2

∅ 19 mm

- Firstly, press the cable seal into the connector housing until it stop and screw the pressure nut on the connector housing (Fig. 15.1)
- Secondly (Fig. 15.2), tighten the pressure nut using the appropriate tool to a torque between 2.5 Nm and 4 Nm

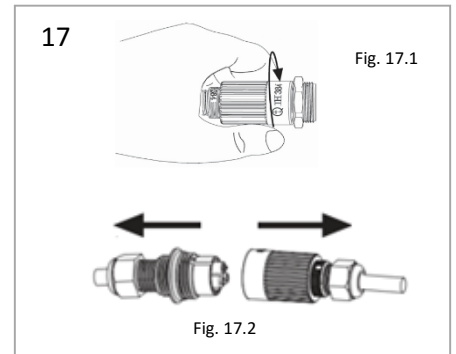


16

Fig. 16.1

Fig. 16.2

- For mating align the two half connectors and mate them together by hand until they stop (male and female connectors incorporate keying features) (Fig. 16.1)
- Screw the locking nut until it stop (Fig. 16.2)



17

Fig. 17.1

Fig. 17.2

- To un-mate connectors unscrew the locking nut until it stops (Fig. 17.1)
- Pull the connector housing apart (Fig. 17.2)