

## ASSEMBLY INSTRUCTIONS

Assembly instructions for connector series TH384



### Safety Note

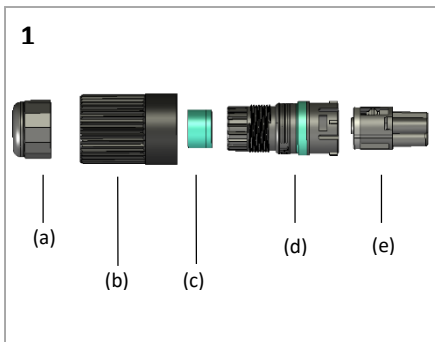
- Disconnect power supply before commencing.
- If the preparation and assembly instructions described here are disregarded then neither safety nor compliance with the technical data can be guaranteed.
- Unconnected connectors must always be protected from pollution (e.g. dust, humidity, foreign particles, etc.) prior to installation. Do not leave unconnected (unprotected) connectors exposed to the environment. The usage of Techno connector sealing caps is strongly recommended.

### Technical data

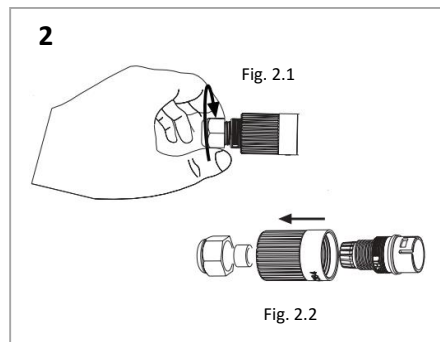
Part Numbers	THB.384.A1A THB.384.B1A
Number of poles	3 poles
Type of connection	Screw connection
Rated Voltage	20 A
Rated current	400 V
Cable type	UL Listed Type TC or TC-ER
Cable size	12 AWG Stranded and solid
Cord diameter min – max	8.5 mm – 10.2 mm
Conductor cross section min - max	1.5 sqmm – 4 sqmm
Dismantling length	20 mm
Insulation strip length	8 mm
Housing color	Black
Insert color	Natural (THB.384.A1A) Natural (THB.384.B1A)

Products are a Type 6/6P enclosure ONLY when assembled with a Combined TC and Outdoor are rated cable type (such as Listed TC/STOOW)

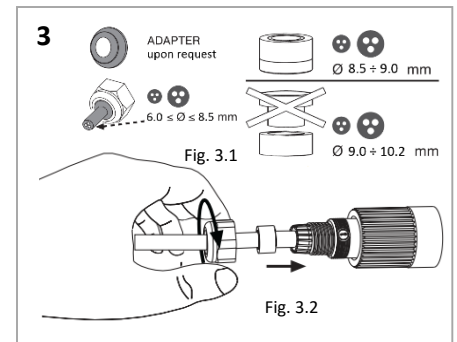
### Assembly steps



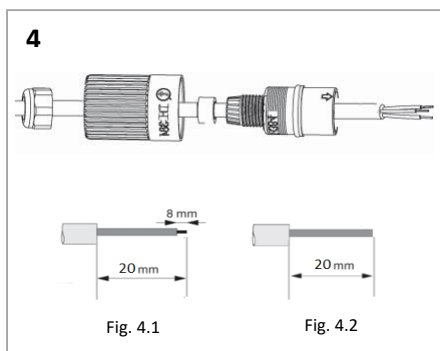
- Set-up of the female connector: (a) Pressure nut, (b) locking nut, (c) cable seal, (d) connector housing, (e) connector insert (male or female)



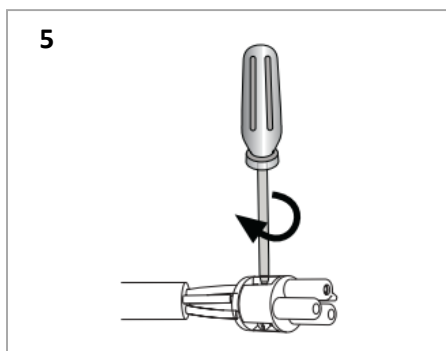
- Unscrew the pressure nut till it comes out from the connector housing (Fig. 2.1).
- Pull out the locking nut from the connector housing (Fig. 2.2).



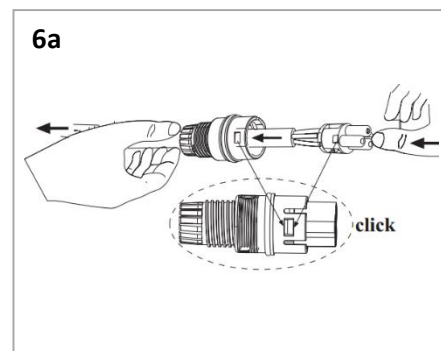
- Choose the cable seal and the cable adapter according to the cable diameter (Fig. 3.1).
- Push the pressure nut and the cable seal over the cable (Fig. 3.2).
- Insert the cable in the female connector housing (Fig. 3.2). Do not insert the cable nut and seal in the connector housing.



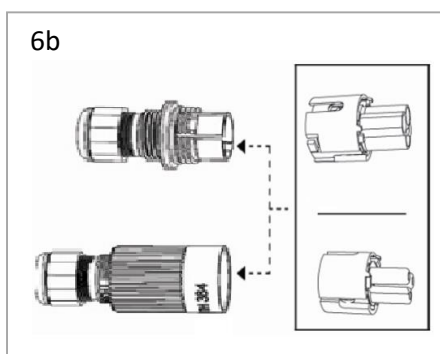
- Strip the cable a length of 0.788 inches (20 mm) (Fig. 4.1)
- In case of screw connection (PN: THB.384.xxx) strip the wires a length of 0.315 inches (8 mm) and twist them together (Fig. 4.1)



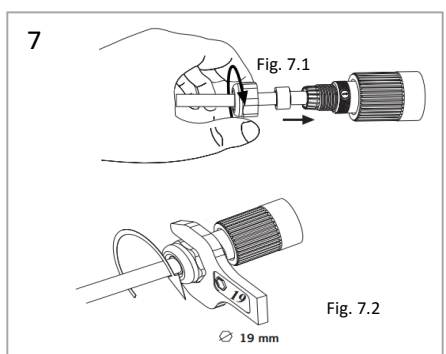
- Connect the wires to the female connector insert (or male connector insert) with a screw driver.
- Screws must be closed using a torque of 0.8 Nm for pressure wire



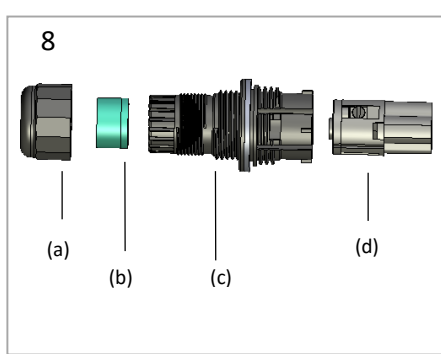
- Insert the female connector insert in the housing until it stop. Make sure the connector insert's protrusion match with the housing's cavity



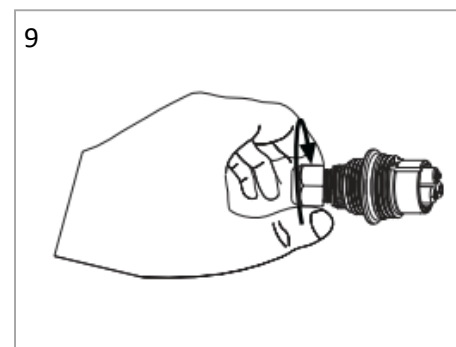
- The female connector insert and the male connector insert can be inserted in both connector housings (male or female) depending on the application needs.



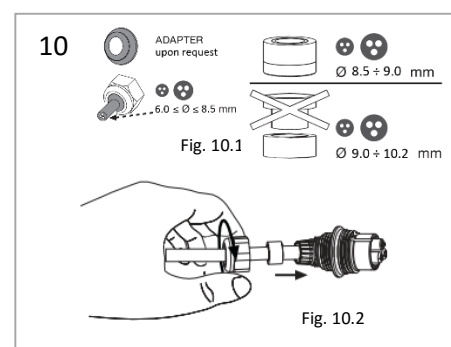
- Firstly, press the cable seal into the connector housing until it stop and screw the pressure nut on the connector housing (Fig. 7.1)
- Secondly (Fig. 7.2), tighten the pressure nut using the appropriate tool to a torque between 2.5 Nm and 4 Nm



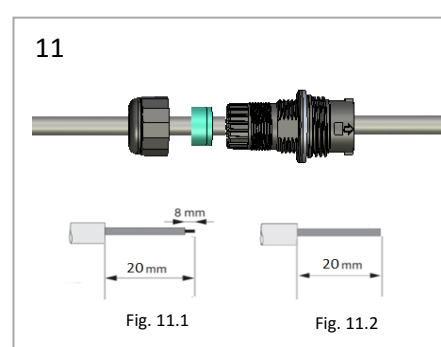
- Set-up of the male connector: (a) Pressure nut, (b) cable seal, (c) connector housing, (d) connector insert (male or female)



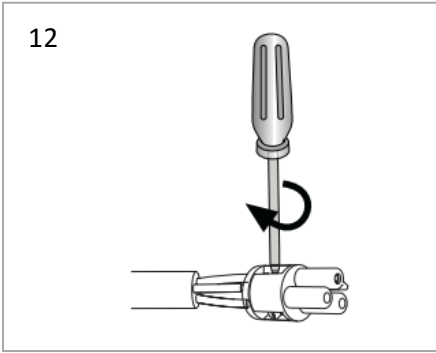
- Unscrew the pressure nut till it comes out from the connector housing (Fig. 9.1).



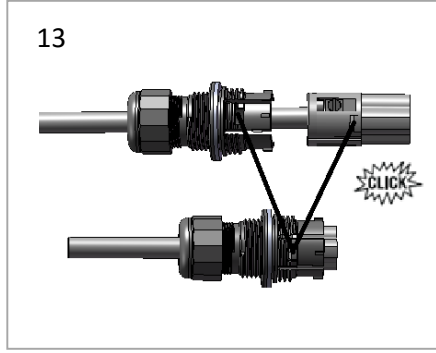
- Choose the cable seal and the cable adapter according to the cable diameter (Fig. 10.1).
- Push the pressure nut and the cable seal over the cable (Fig. 10.2).
- Insert the cable in the male connector housing (Fig. 10.2). Do not insert the cable nut and seal in the connector housing.



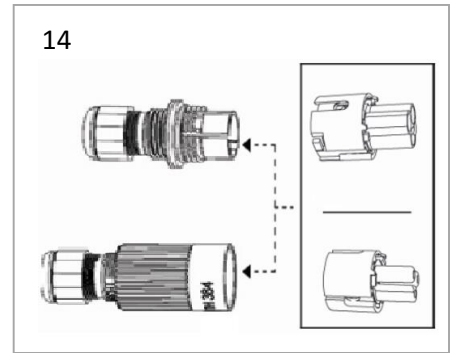
- Strip the cable a length of 0.788 inches (20 mm) (Fig. 11.1)
- In case of screw connection (PN: THB.384.xxx) strip the wires a length of 0.315 inches (8 mm) and twist them together (Fig. 11.1)
- In case of piercing screw connection (PN: THP.384.xxx) do not strip the wires (Fig. 11.2)



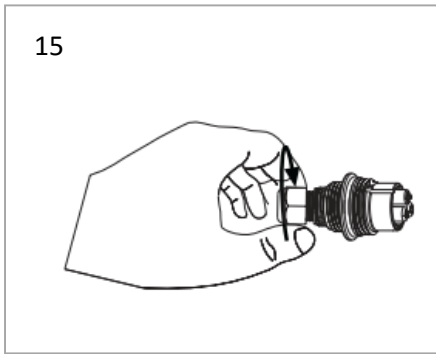
- Connect the wires to the male connector insert (or female connector insert) with a screw driver.
- Screws must be closed using a torque of 0.8 Nm for pressure wire



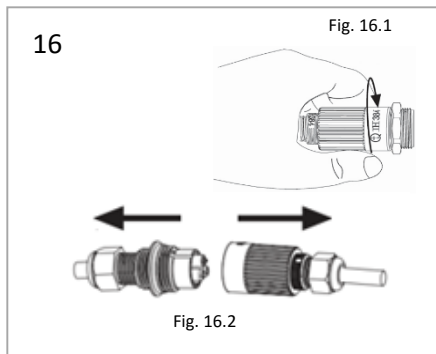
- Insert the male connector insert in the housing until it stop. Make sure the connector insert's protrusion match with the housing's cavity



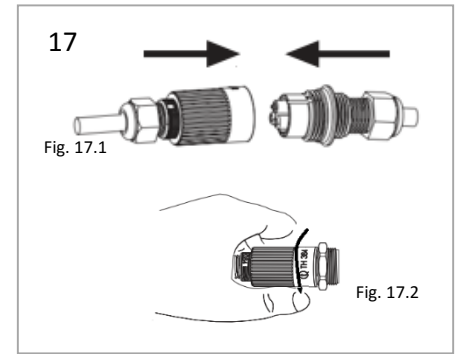
- The male connector insert and the female connector insert can be inserted in both connector housings (male or female) depending on the application needs



- Firstly, press the cable seal into the connector housing until it stop and screw the pressure nut on the connector housing
- Secondly, tighten the pressure nut using the appropriate tool (same tool showed in Figure 7) to a torque between 2.5 Nm and 4 Nm



- To un-mate connectors unscrew the locking nut until it stops (Fig. 16.1)
- Pull the connector housing apart (Fig. 16.2)



- For mating align the two half connectors and mate them together by hand until they stop (male and female connectors incorporate keying features) (Fig. 17.1)
- Screw the locking nut until it stop (Fig. 17.2)